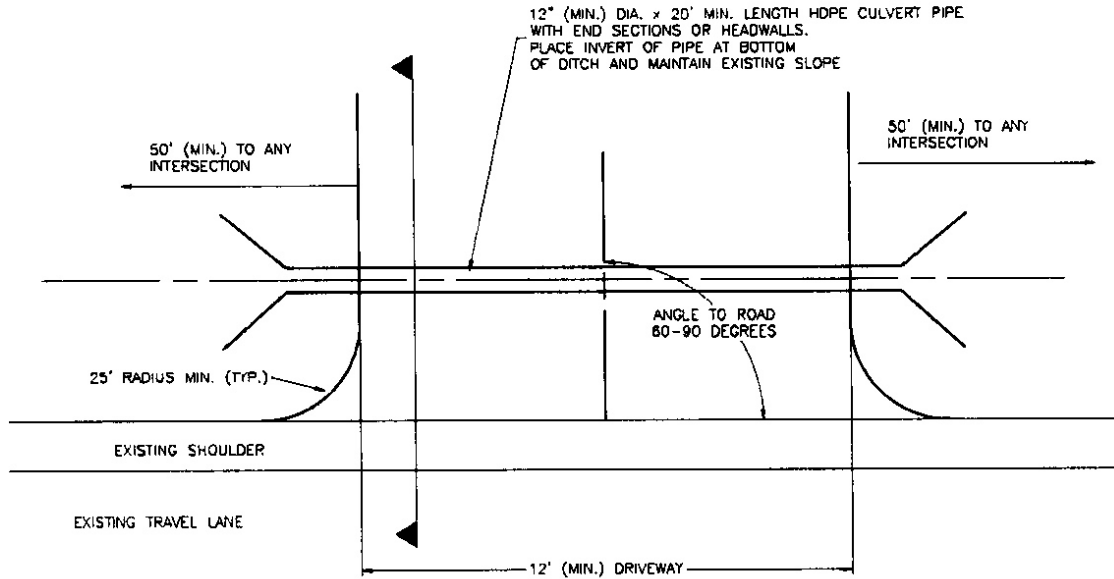
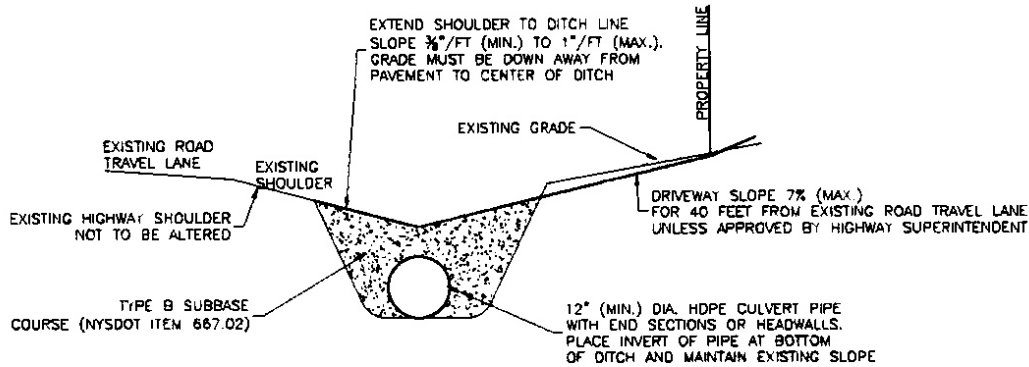


**TOWN OF SARATOGA  
SUBDIVISION REGULATIONS**

**APPENDIX**



**PLAN**



**SECTION**

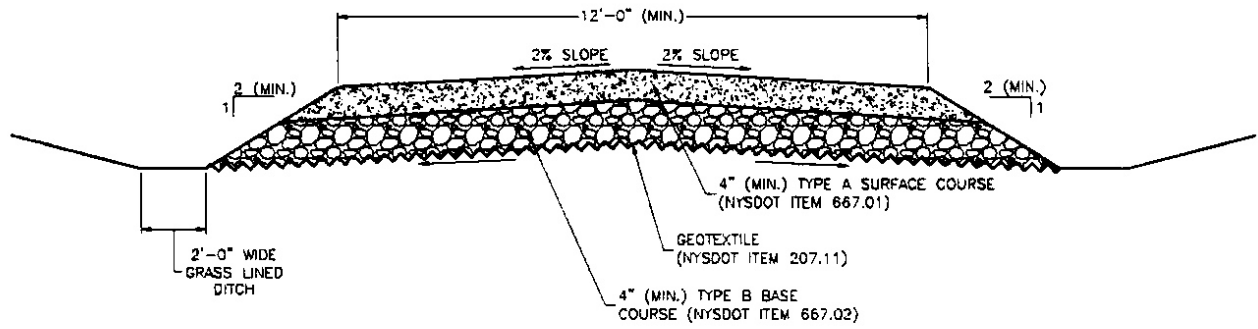
**1 DRIVEWAY CULVERT DETAIL**  
SCALE: N.T.S.

**NOTE:**

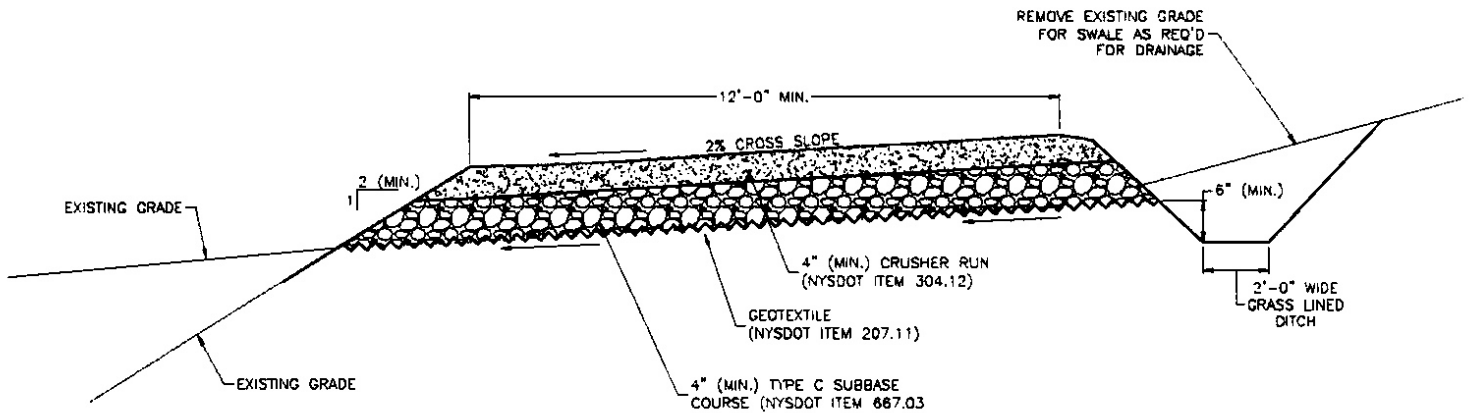
1. DRIVEWAY CULVERT MAY BE OMITTED AT THE DISCRETION OF THE TOWN HIGHWAY SUPERINTENDENT IF NO DRAINAGE COURSE EXISTS.
2. CULVERTS ARE TO BE SIZED TO PASS THE 50 YEAR STORM EVENT

02/27/07	REVIEWED BY SARATOGA TOWN ENGINEER	KAM	
02/28/07	REVIEWED BY SARATOGA HIGHWAY SUPERINTENDENT	DFH	
DATE	REV #	ISSUED / REVISIONS	BY
<b>DRIVEWAY DETAILS - CULVERT</b>			
OCTOBER 2008	PRO#05-029	SHEET: 1 OF 21	

<b>SARATOGA DESIGN STANDARDS</b> TOWN OF SARATOGA	DRAWING: <b>D1</b>
	FILE: DRIVEWAY DETAILS.DWG PLOTTED / REVISED: 08/20/07 9:00AM



**1 TYPICAL DRIVEWAY DETAIL**  
SCALE: N.T.S.



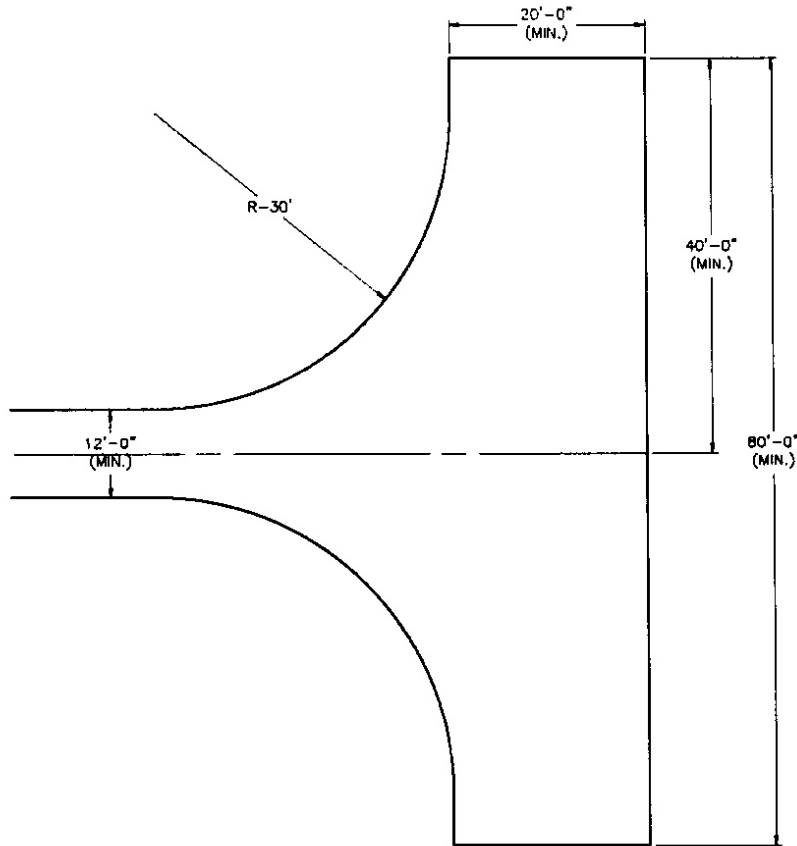
**2 OPTIONAL DRIVEWAY DETAIL**  
SCALE: N.T.S.

**NOTE:**

1. DRIVEWAY GRADES SHALL NOT EXCEED 12% AVERAGE GRADE OVER ANY 150 FT LENGTH AND SHALL NOT EXCEED 15% OVER ANY LENGTH
2. DRIVEWAYS OVER 500 FT IN LENGTH SHALL REQUIRE A DRIVEWAY PULL OFF (SEE DRIVEWAY PULLOFF DETAIL)
3. ON SILT OR CLAY SUBBASES THE 4" TYPE B BASE COURSE SHALL BE INCREASED TO 8" OR APPLICANT SHALL PROVIDE AN ALTERNATE DESIGN PROVIDED BY A PROFESSIONAL ENGINEER LICENSED BY THE NYS DEPARTMENT OF EDUCATION.

02/27/07	REVIEWED BY SARATOGA TOWN ENGINEER	KAM	
02/28/07	REVIEWED BY SARATOGA HIGHWAY SUPERINTENDENT	DFH	
DATE	REV #	ISSUED / REVISIONS	BY BY
<b>DRIVEWAY DETAILS - TYPICAL/ OPTIONAL</b>			
OCTOBER 2008		PRO#05-029	SHEET: 2 OF 21

<b>SARATOGA DESIGN STANDARDS</b> TOWN OF SARATOGA	DRAWING:
	<b>D2</b>
FILE: DRIVEWAY DETAILS.DWG	PLOTTED / REVISED: 08/20/07 9:00AM

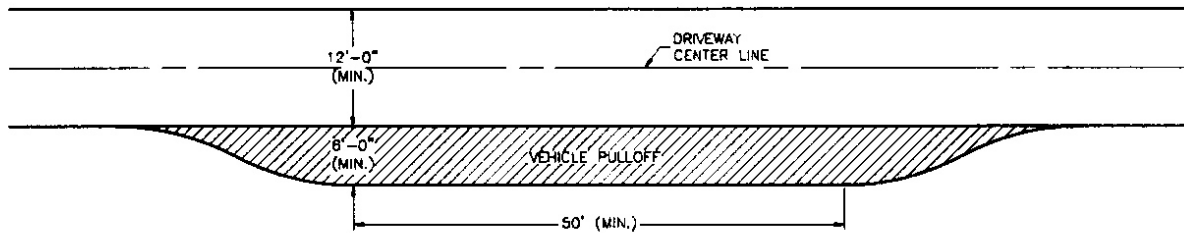


**1 DRIVEWAY TURN AROUND DETAIL**

SCALE: N.T.S.

**NOTE:**

1. REQUIRED AT END OF DRIVEWAYS GREATER THAN 200' IN LENGTH



**2 DRIVEWAY PULLOFF DETAIL**

SCALE: N.T.S.

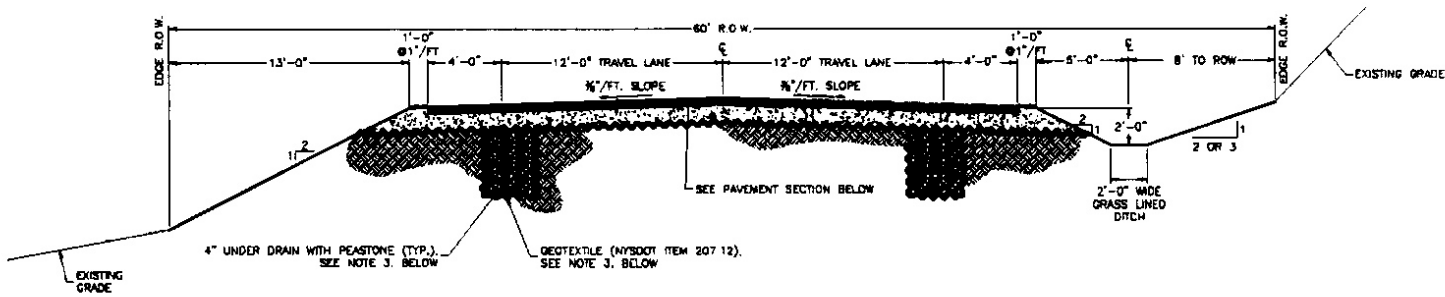
**NOTE:**

1. DRIVEWAYS OVER 500 FT IN LENGTH SHALL REQUIRE (1) DRIVEWAY PULL OFF PER EVERY 500 FT

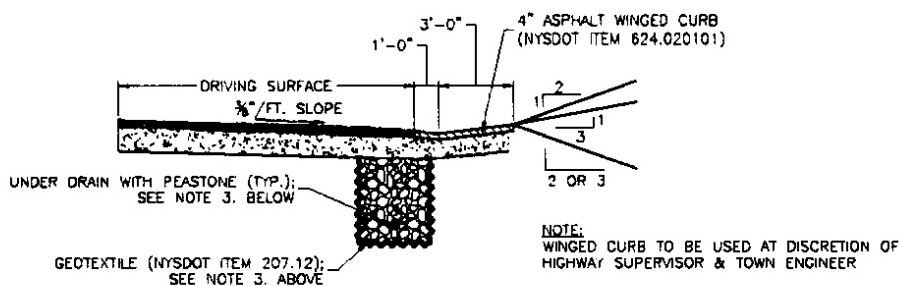
02/27/07	REVIEWED BY SARATOGA TOWN ENGINEER	KAM		
02/28/07	REVIEWED BY SARATOGA HIGHWAY SUPERINTENDENT	DRH		
DATE	REV #	ISSUED / REVISIONS	BY	BY
<b>DRIVEWAY DETAILS - TURN AROUND</b>				
OCTOBER 2006		PRO#05-029	SHEET: 3 OF 21	

<b>SARATOGA DESIGN STANDARDS</b> TOWN OF SARATOGA	DRAWING:
	<b>D3</b>
FILE: DRIVEWAY DETAILS.DWG	PLOTTED / REVISED: 02/20/07 9:00AM

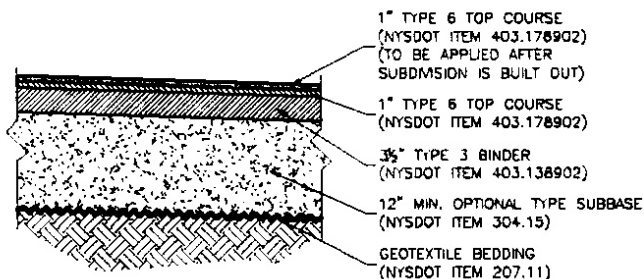




**1** TYPICAL ROAD CROSS SECTION (60' R.O.W.)  
SCALE: N.T.S.



**2** OPTIONAL GUTTER DETAIL  
SCALE: N.T.S.



**3** PAVEMENT SECTION  
SCALE: N.T.S.

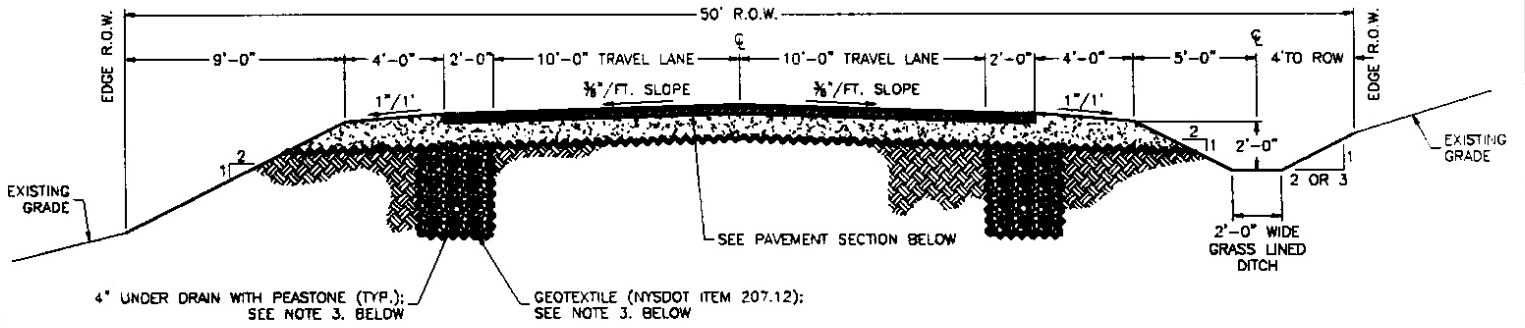
**NOTE:**

1. SECOND TOP COURSE NOT TO BE INSTALLED UNTIL SUBDIVISION IS BUILT OUT.
2. TOP OF FRAMES, GRATES, VALVE BOXES ETC. TO BE AT FIRST TOP COURSE ELEVATION (-1/2") RAISE FRAMES, GRATES, COVERS ETC. TO SECOND TOP COURSE ELEVATION (-1/2") PRIOR TO INSTALLING SECOND TOP COURSE
3. UNDER DRAINS TO BE INSTALLED AT DISCRETION OF HIGHWAY SUPERVISOR & TOWN ENGINEER
4. 60' ROW MAY BE INCREASED IN SPECIAL AREAS SUCH AS CUT & FILL, CULVERT PIPE, ETC. OR EASEMENTS MAY BE REQUIRED

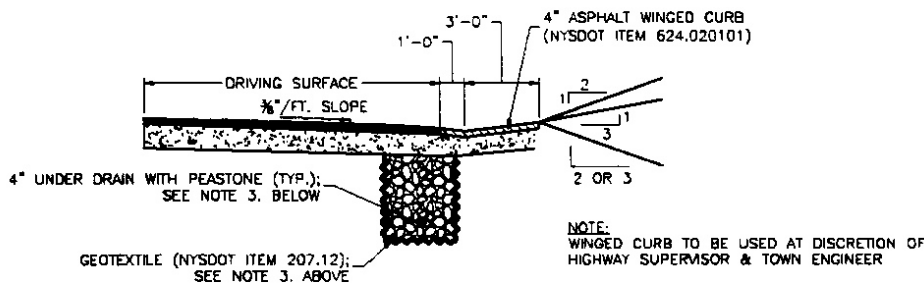
02/21/07	REVIEWED BY SARATOGA TOWN ENGINEER	KAM	
02/29/07	REVIEWED BY SARATOGA HIGHWAY SUPERINTENDENT	DPH	
DATE	REV #	ISSUED / REVISIONS	BY BY
<b>ROAD SECTIONS - STANDARD DETAIL</b>			
SEPTEMBER 2006		PROJ: 05-029	SHEET: 4 of 21

<b>SARATOGA DESIGN STANDARDS</b>	DRAWING:
	<b>D4</b>
TOWN OF SARATOGA	
FILE: Kars Project\05-029 Saratoga Design Standards	PLOTTED / REVISED: 09/20/07 9:00AM

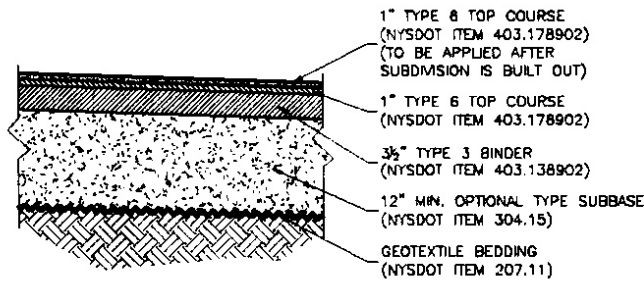




**1** **OPTIONAL ROAD CROSS SECTION (50' R.O.W.)**  
SCALE: N.T.S.



**2** **OPTIONAL GUTTER DETAIL**  
SCALE: N.T.S.



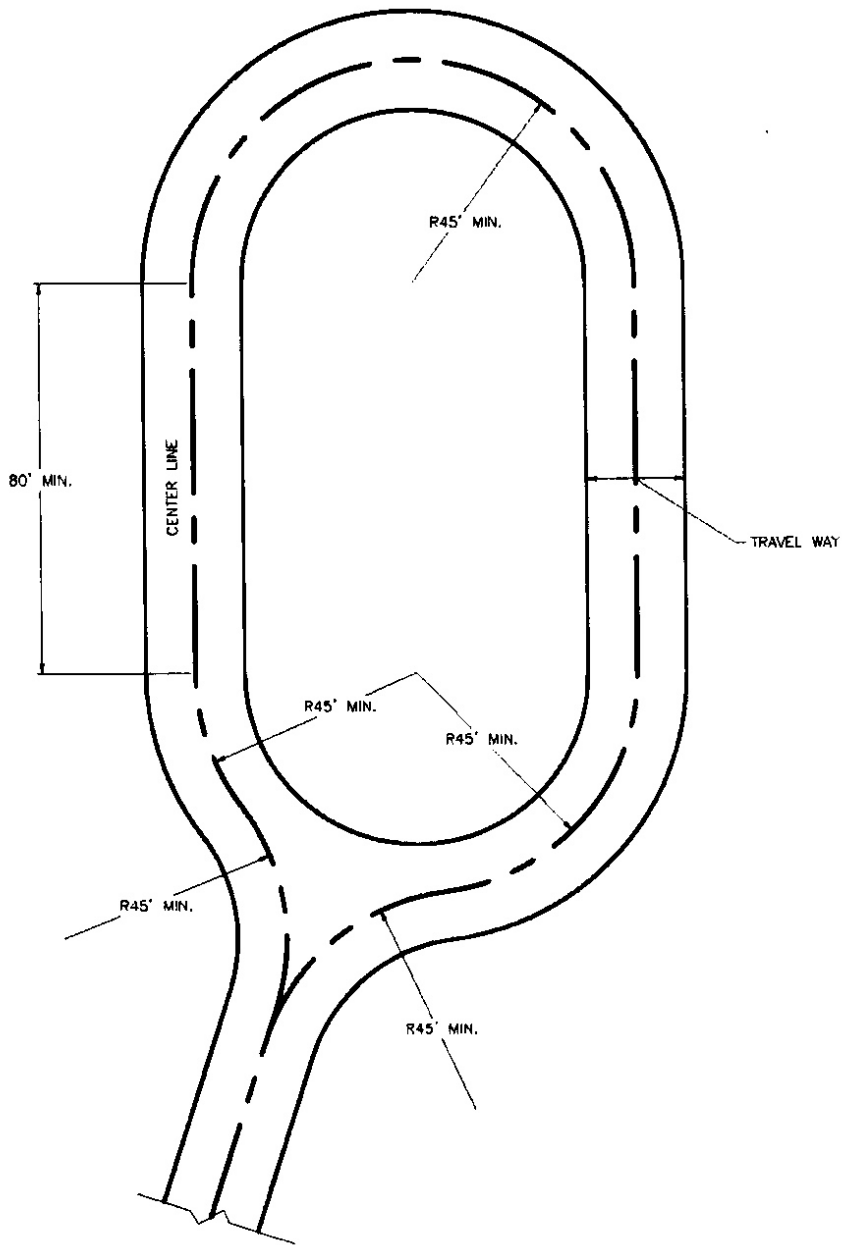
**3** **PAVEMENT SECTION**  
SCALE: N.T.S.

**NOTE:**

1. SECOND TOP COURSE NOT TO BE INSTALLED UNTIL SUBDIVISION IS BUILT OUT.
2. TOP OF FRAMES, GRATES, VALVE BOXES ETC. TO BE AT FIRST TOP COURSE ELEVATION (-1/2") RAISE FRAMES, GRATES, COVERS ETC. TO SECOND TOP COURSE ELEVATION (-1/2") PRIOR TO INSTALLING SECOND TOP COURSE
3. UNDER DRAINS TO BE INSTALLED AT DISCRETION OF HIGHWAY SUPERVISOR & TOWN ENGINEER
4. THIS ROAD SECTION SHALL BE ALLOWED ON A CASE BY CASE BASIS AT THE DISCRETION OF THE TOWN OF SARATOGA PLANNING BOARD
5. 50' ROW MAY BE INCREASED IN SPECIAL AREAS SUCH AS CUT & FILL, CULVERT PIPE, ETC. OR EASEMENTS MAY BE REQUIRED

02/27/07	REVIEWED BY SARATOGA TOWN ENGINEER	KAM	
02/28/07	REVIEWED BY SARATOGA HIGHWAY SUPERINTENDENT	DFH	
DATE	REV #	ISSUED / REVISIONS	BY
<b>ROAD SECTIONS - OPTIONAL DETAIL</b>			
SEPTEMBER 2008	PROJ#05-029	SHEET: 5 OF 21	

<b>SARATOGA DESIGN STANDARDS</b>	DRAWING:
	<b>D5</b>
TOWN OF SARATOGA	
FILE: Kane Projects\05-029 Saratoga Design Standards	PLOTTED / REVISED: 06/20/07 9:00AM



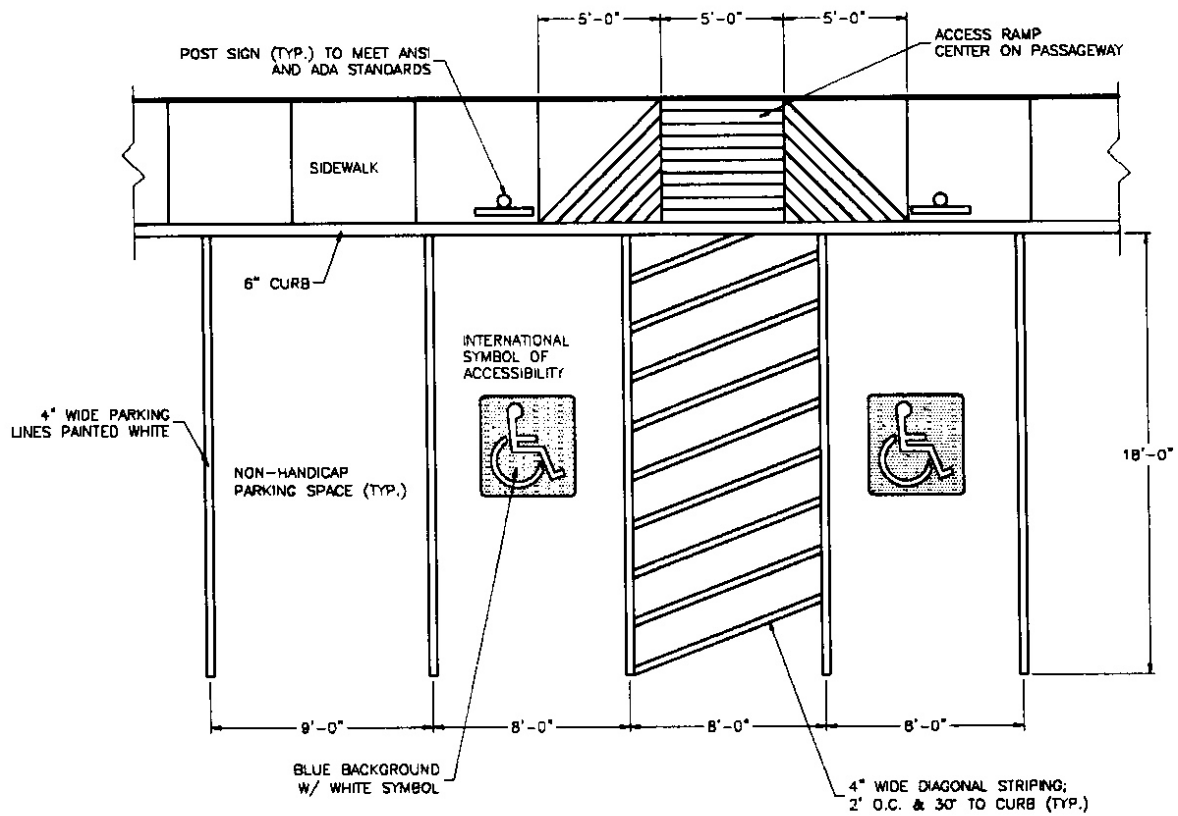
**NOTE:**

1. LOCATION/ALIGNMENT OF ENTRANCE/EXIT TO CUL-DE-SAC MAY BE LOCATED AS SITE REQUIRES  
(ALL RADIUS MUST BE MAINTAINED)

**1** TYPICAL ROAD CUL-DE-SAC  
SCALE: N.T.S.

02/27/07	REVIEWED BY SARATOGA TOWN ENGINEER	KAM	
02/28/07	REVIEWED BY SARATOGA HIGHWAY SUPERINTENDENT	DFH	
DATE	REV #	ISSUED / REVISIONS	BY
<b>ROAD CUL-DE-SAC - STANDARD DETAIL</b>			
SEPTEMBER 2006		PRO: 05-029	SHEET: 8 of 21

<b>SARATOGA DESIGN STANDARDS</b> TOWN OF SARATOGA	DRAWING:
	<b>D6</b>
FILE: Kars Project\05-029 Saratoga Design Standards	PLOTTED / REVISED: 02/28/07 9:00AM



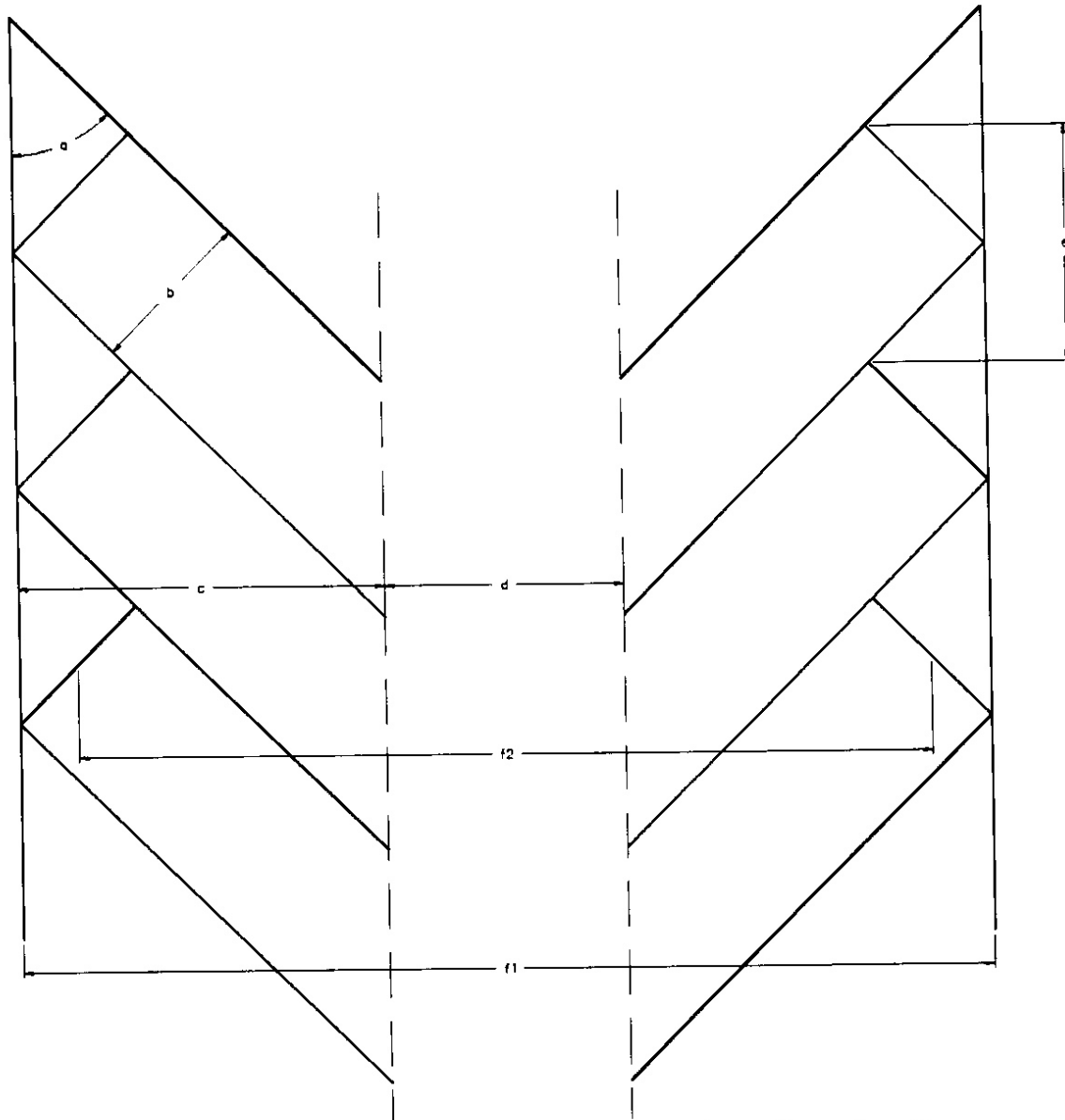
**1** **PARKING SPACE DETAIL**  
SCALE: N.T.S.

NOTE:

1. MAXIMUM SLOPE WITHIN HANDICAP PARKING SPACES AND/ OR STRIPPED AISLE SHALL NOT EXCEED 1:20.
2. PROVIDE HANDICAP SPACES IN ACCORDANCE WITH NYS BUILDING CODE AND ADA STANDARDS.

02/27/07	REVIEWED BY SARATOGA TOWN ENGINEER	KAM	
02/29/07	REVIEWED BY SARATOGA HIGHWAY SUPERINTENDENT	DPH	
DATE	REV #	ISSUED / REVISIONS	BY BY
<b>PARKING STALL DETAIL</b>			
DECEMBER 2008		PRO# 06-029	SHEET 7 OF 21

<b>SARATOGA DESIGN STANDARDS</b> TOWN OF SARATOGA	DRAWING:
	<b>D7</b>
FILE: PARKING LOT DETAILS.DWG	PLOTTED / REVISED: 08/20/07 9:00AM



**PARKING SPACE DIMENSION FOR ANGLED PARKING**

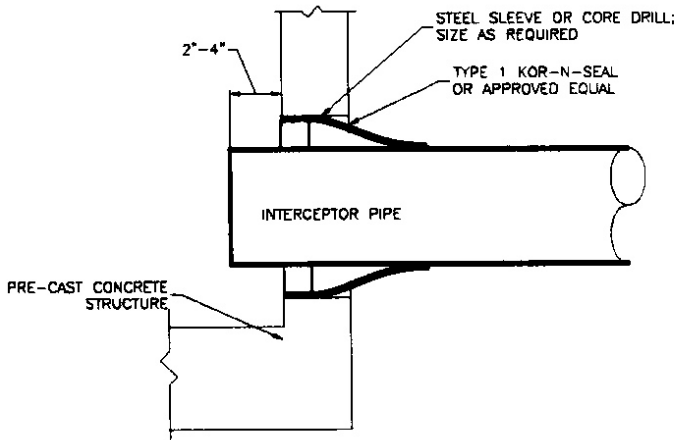
a	b	c	d	e	f1	f2
PARKING ANGLE	STALL WIDTH	STALL TO CURB LENGTH	aisle WIDTH	CURB LENGTH PER CAR	CURB-TO-CURB	OVERLAP C-C
0°	9'-0"	9'-0"	12'-0"	20'-0"	30'-0"	NA
20°	9'-0"	15'-0"	11'-0"	26'-4"	41'-0"	32'-6"
30°	9'-0"	17'-4"	11'-0"	18'-0"	45'-8"	37'-10"
40°	9'-0"	19'-2"	12'-0"	14'-0"	50'-4"	43'-4"
45°	9'-0"	19'-10"	13'-0"	12'-8"	52'-8"	46'-3"
50°	9'-0"	20'-5"	15'-5"	11'-8"	52'-10"	47'-0"
60°	9'-0"	21'-0"	16'-0"	10'-5"	60'-0"	55'-6"
70°	9'-0"	21'-0"	19'-0"	9'-8"	61'-0"	57'-11"
80°	9'-0"	20'-4"	24'-0"*	9'-2"	64'-8"	52'-8"
90°	9'-0"	18'-0"	24'-0"*	9'-0"	62'-0"	NA

\* - TWO WAY TRAFFIC

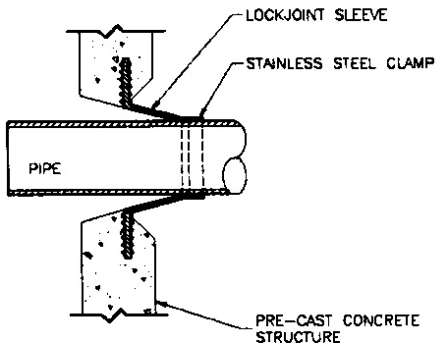
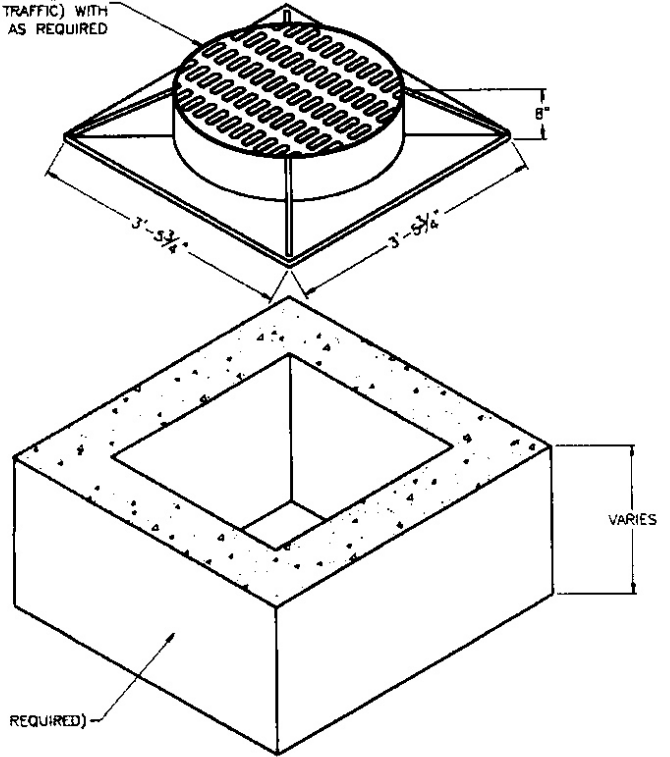
02/27/07	REVIEWED BY SARATOGA TOWN ENGINEER	KAM	
02/28/07	REVIEWED BY SARATOGA HIGHWAY SUPERINTENDENT	DFH	
DATE	REV #	ISSUED / REVISIONS	BY BY
<b>PARKING LOT LAYOUT DETAIL</b>			
DECEMBER 2008		PROJ# 05-029	SHEET: 8 OF 21

<b>SARATOGA DESIGN STANDARDS</b> TOWN OF SARATOGA	DRAWING: <b>D8</b>
	FILE: PARKING LOT DETAILS.DWG PLOTTED / REVISED: 06/20/07 9:00AM

CATCH BASIN FRAME & GRATE FROM SYRACUSE CASTING (PATTERN# 2386 OR EQUIVALENT (H2O TRAFFIC) WITH EXTENSION RING(S) AS REQUIRED

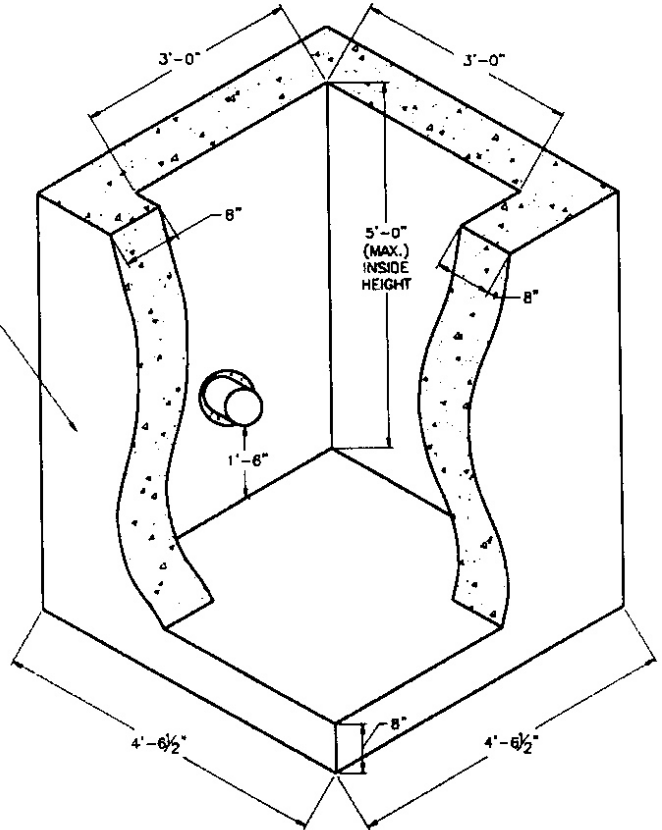


**2 KOR-N-SEAL FLEXIBLE CONNECTOR**  
SCALE: N.T.S.



**3 LOCKJOINT FLEXIBLE CONNECTOR**  
SCALE: N.T.S.

HEAVY DUTY FORT MILLER PRECAST CONCRETE CATCH BASIN OR EQUIVALENT



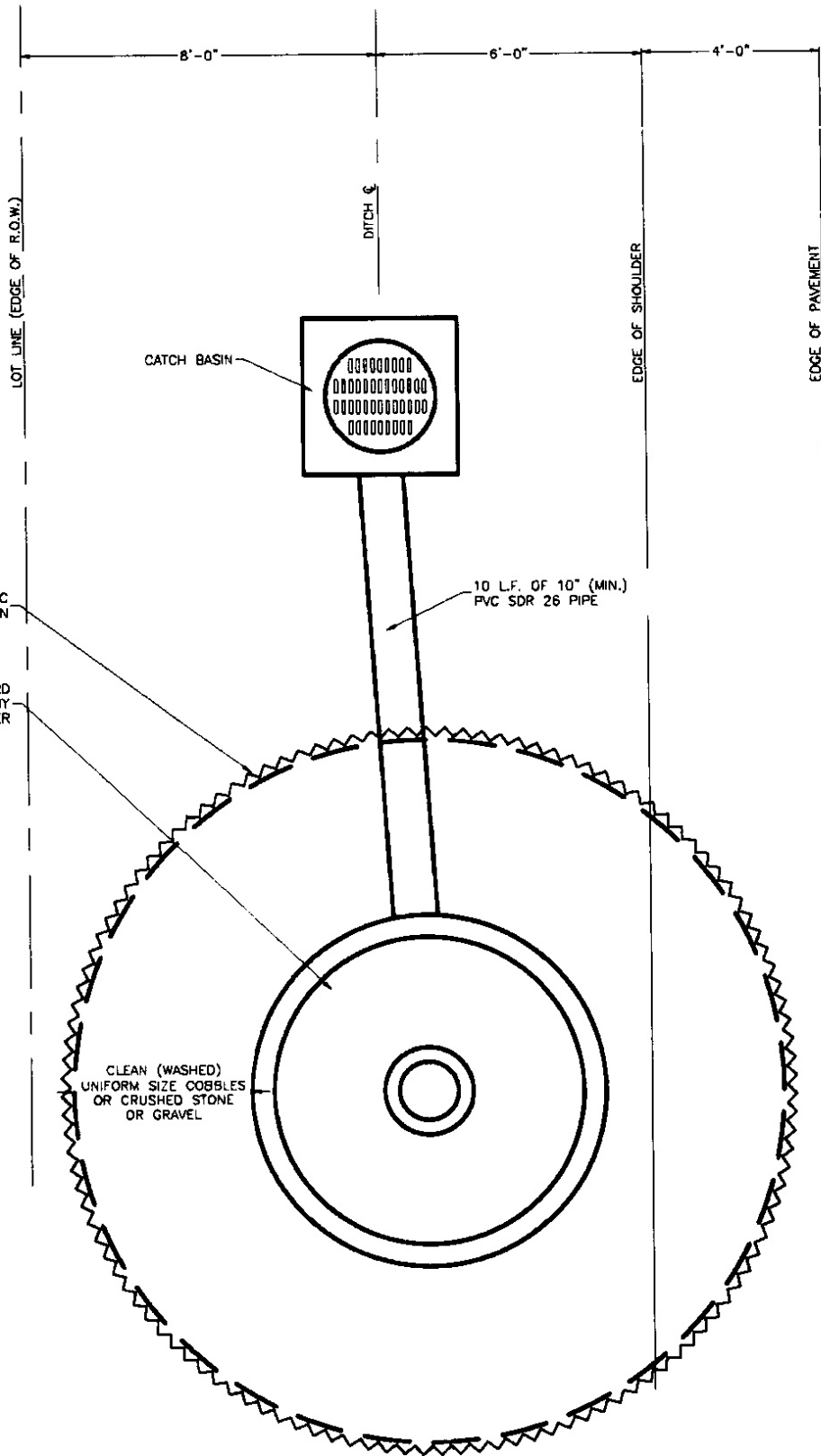
**1 CATCH BASIN DETAIL**  
SCALE: N.T.S.

**DRAWING NOTES:**

1. PRE-CAST LEVELING RING OR CONCRETE BRICK (AS NECESSARY)
2. INSTALL POLYPROPYLENE STEPS (AS NECESSARY)

08/27/07	REVIEWED BY SARATOGA TOWN ENGINEER	KAM	
08/28/07	REVIEWED BY SARATOGA HIGHWAY SUPERINTENDENT	DFH	
DATE	REV #	ISSUED / REVISIONS	BY BY
<b>CATCH BASIN</b>			
SEPTEMBER 2006		PRO #05-029	SHEET 9 of 21

<b>SARATOGA DESIGN STANDARDS</b>		<b>DRAWING:</b>
TOWN OF SARATOGA		<b>D9</b>
FILE: CATCH BASIN.DWG	PLOTTED / REVISED: 08/20/07 9:00AM	



NON-WOVEN FILTER FABRIC FOR SEPERATION

DRYWELL AND COVER PER STANDARD DETAIL; SIZE TO BE DETERMINED BY DESIGN ENGINEER

CATCH BASIN

10 L.F. OF 10" (MIN.)  
PVC SDR 26 PIPE

CLEAN (WASHED)  
UNIFORM SIZE COBBLES  
OR CRUSHED STONE  
OR GRAVEL

**1 CATCH BASIN AND DRYWELL DETAIL**

SCALE: N.T.S.

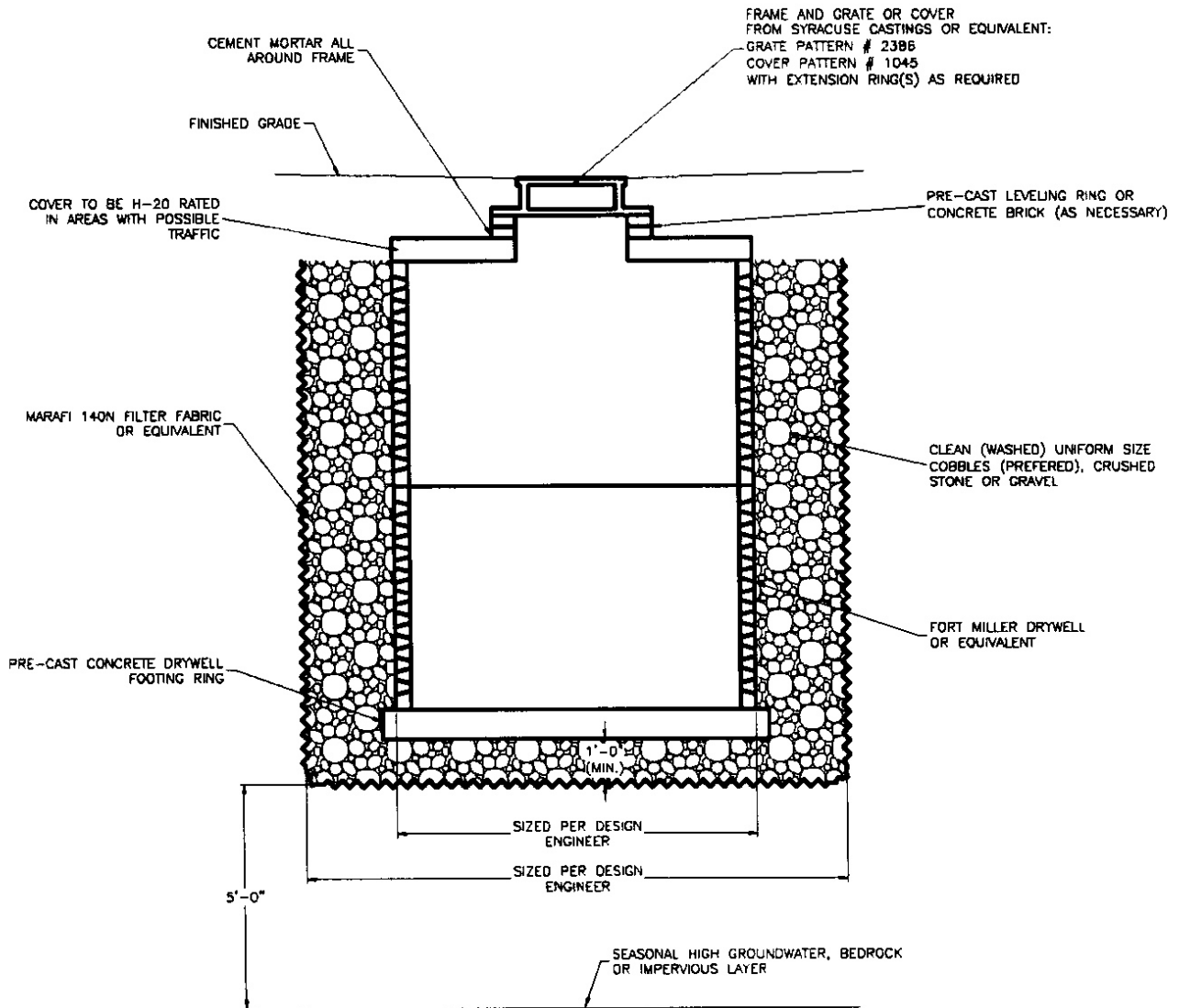
**NOTE:**

1. DEPTH OF STONE UNDER BOTTOM OF DRYWALL TO HIGHEST EVIDENCE OF SEASONAL HIGH GROUNDWATER, BEDROCK OR IMPERVIOUS LAYER TO BE 5'-0" (SEE DRAWING D9 FOR DETAILS)
2. USE OF DRYWELLS MUST BE REVIEWED AND APPROVED BY THE HIGHWAY SUPERINTENDENT

02/27/07	REVIEWED BY SARATOGA TOWN ENGINEER	KAM	
02/28/07	REVIEWED BY SARATOGA HIGHWAY SUPERINTENDENT	DPH	
DATE	REV #	ISSUED / REVISIONS	BY BY
<b>CATCH BASIN AND DRYWELL DETAIL</b>			
DECEMBER 2006		PRO# 05-029	SHEET: 10 of 21

<b>SARATOGA DESIGN STANDARDS</b>	<b>DRAWING:</b>
TOWN OF SARATOGA	<b>D10</b>
FILE: CATCH BASIN AND DRYWELL.DWG	PLOTTED / REVISED: 06/20/07 9:00AM



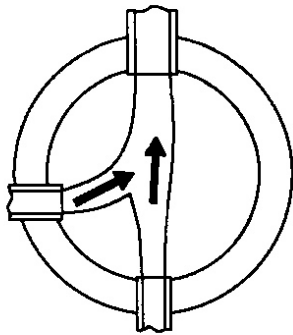


NOTE:  
1. WIDTH & DEPTH SIZED PER DESIGN ENGINEER  
2. USE OF DRYWELLS MUST BE REVIEWED AND APPROVED BY THE HIGHWAY SUPERINTENDENT

**1 DRYWELL DETAIL**  
SCALE: N.T.S.

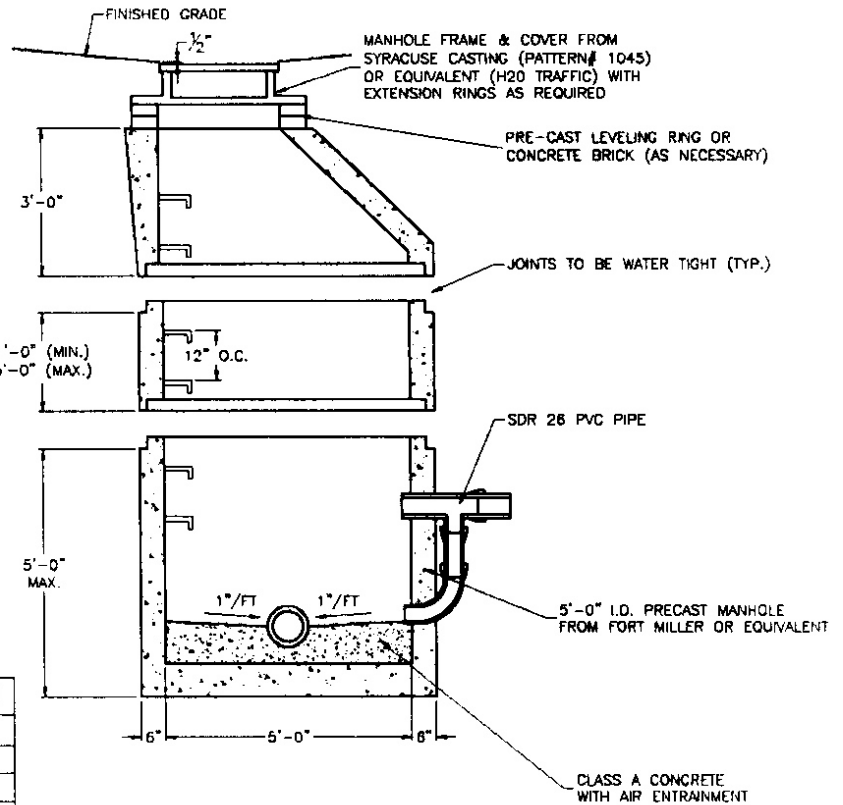
02/27/07	REVIEWED BY SARATOGA TOWN ENGINEER	KAM	
02/28/07	REVIEWED BY SARATOGA HIGHWAY SUPERINTENDENT	DFH	
DATE	REV #	ISSUED / REVISIONS	BY BY
<b>DRYWELL DETAIL</b>			
DECEMBER 2006		PRO# 05-028	SHEET: 11 of 21

<b>SARATOGA DESIGN STANDARDS</b> TOWN OF SARATOGA	DRAWING:
	<b>D11</b>
FILE: DRYWELL DETAIL.DWG	PLOTTED / REVISED: 06/20/07 9:00AM



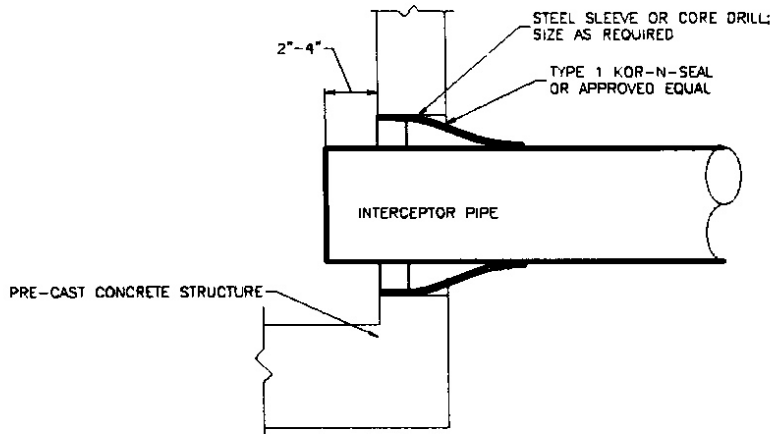
PROVIDE SMOOTH CHANNELS IN CONCRETE BASE WITH GRADUAL SIZE TRANSITIONS

**2 SANITARY MANHOLE TYPICAL PLAN**  
SCALE: N.T.S.

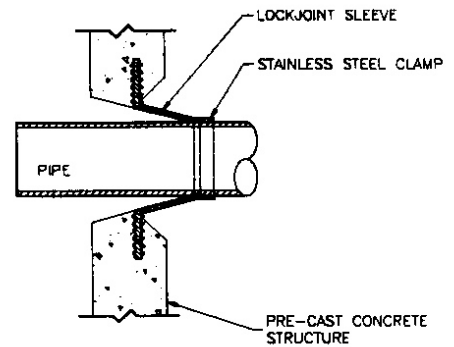


**1 SANITARY MANHOLE DETAIL**  
SCALE: N.T.S.

SIZE OF MANHOLE MAIN DROP CONNECTION	
SIZE OF PIPE	SIZE OF DROP
8"	8"
10"	8"
12"	8"
15"	10"
18"	12"
20"	15"



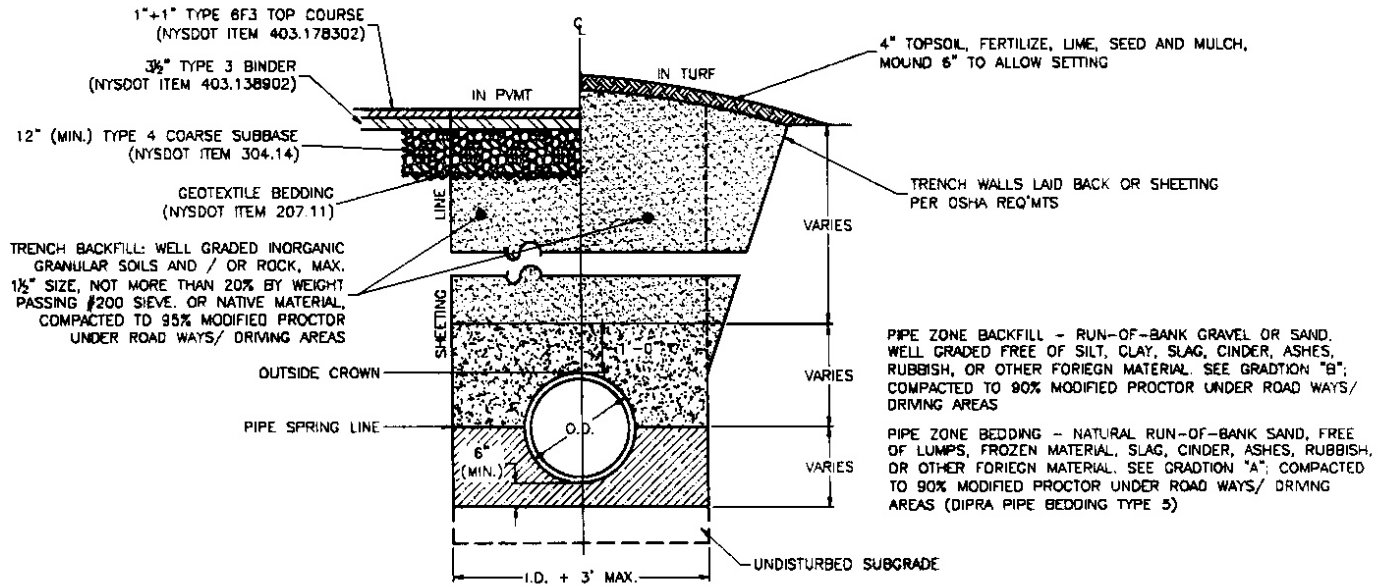
**3 KOR-N-SEAL FLEXIBLE CONNECTOR**  
SCALE: N.T.S.



**4 LOCKJOINT FLEXIBLE CONNECTOR**  
SCALE: N.T.S.

02/27/07	REVIEWED BY SARATOGA TOWN ENGINEER	KAM	
02/28/07	REVIEWED BY SARATOGA HIGHWAY SUPERINTENDENT	DFH	
DATE	REV #	ISSUED / REVISIONS	BY BY
<b>SANITARY MANHOLE</b>			
SEPTEMBER 2006		PRO.# 05-029	SHEET 12 OF 21

<b>SARATOGA DESIGN STANDARDS</b>		DRAWING:
TOWN OF SARATOGA		<b>D12</b>
FILE: SANITARY MANHOLE.DWG		PLOTTED / REVISED: 08/20/07 9:00AM



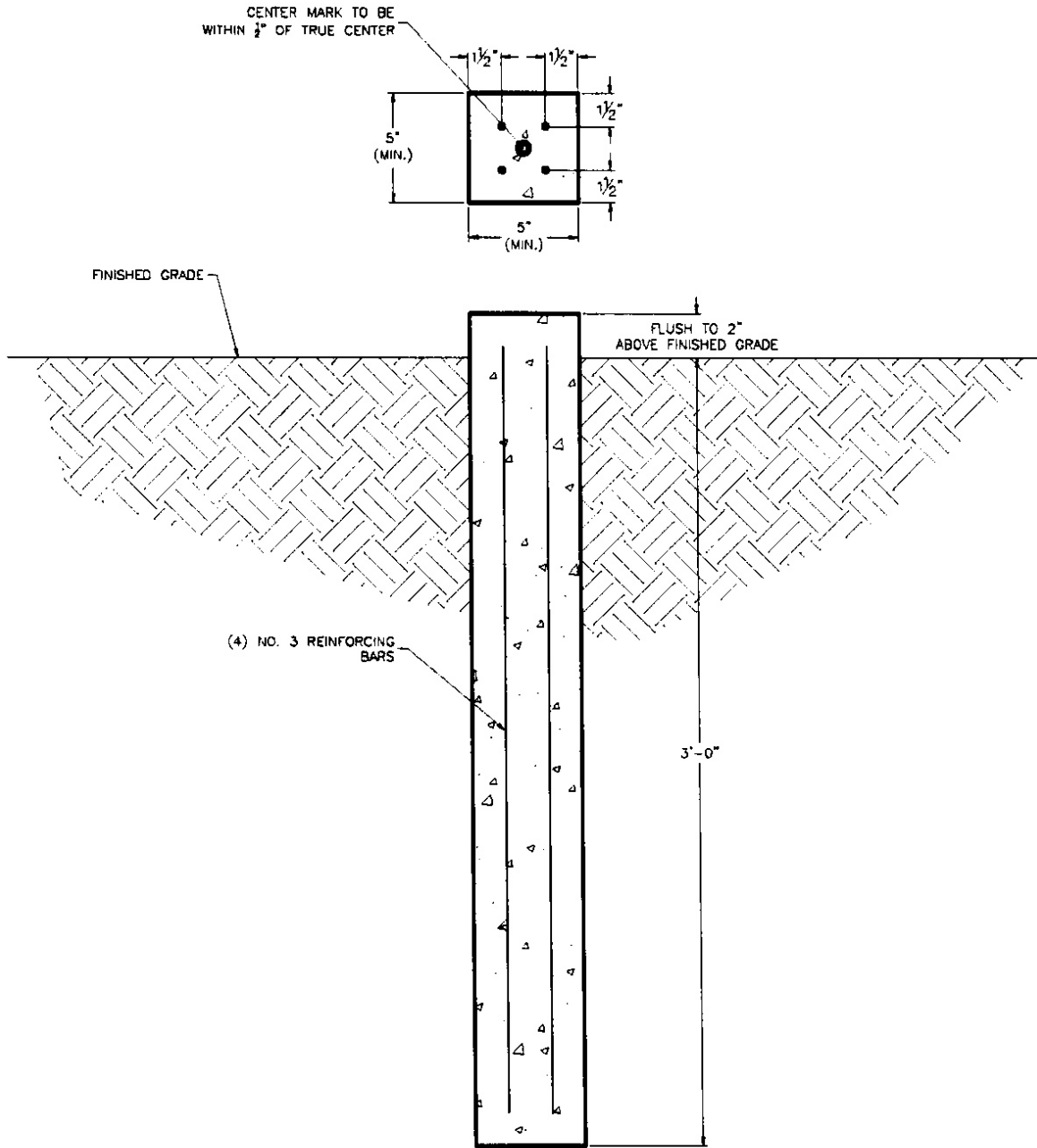
**1 TRENCH DETAIL**  
SCALE: N.T.S.

GRADATION "A"	
SIEVE SIZE	% PASSING BY WEIGHT
3/8"	100
NO 50	0-35
NO 100	0-10

GRADATION "B"	
SIEVE SIZE	% PASSING BY WEIGHT
2"	100
3/8"	30-100
NO 200	0-15

02/27/07	REVIEWED BY SARATOGA TOWN ENGINEER	KAM	
02/28/07	REVIEWED BY SARATOGA HIGHWAY SUPERINTENDENT	DPH	
DATE	REV #	ISSUED / REVISIONS	BY BY
<b>TRENCH DETAIL</b>			
OCTOBER 2008 PRO#05-029 SHEET: 13 OF 21			

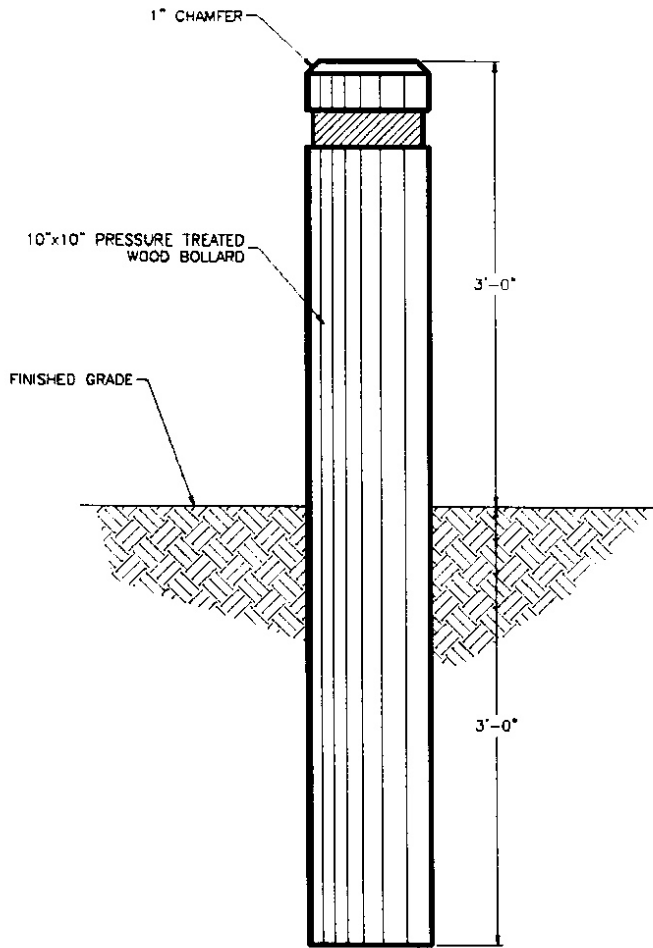
<b>SARATOGA DESIGN STANDARDS</b> TOWN OF SARATOGA	DRAWING:
	<b>D13</b>
FILE: TRENCH DETAIL.DWG	PLOTTED / REVISED: 06/26/07 9:00AM



**1 CONCRETE MONUMENT DETAIL**  
SCALE: N.T.S.

02/27/07	REVIEWED BY SARATOGA TOWN ENGINEER	KAM	
02/29/07	REVIEWED BY SARATOGA HIGHWAY SUPERINTENDENT	DFH	
DATE	REV #	ISSUED / REVISIONS	BY BY
<b>CONCRETE MONUMENT DETAIL</b>			
DECEMBER 2008		PRO# 05-029	SHEET 14 OF 21

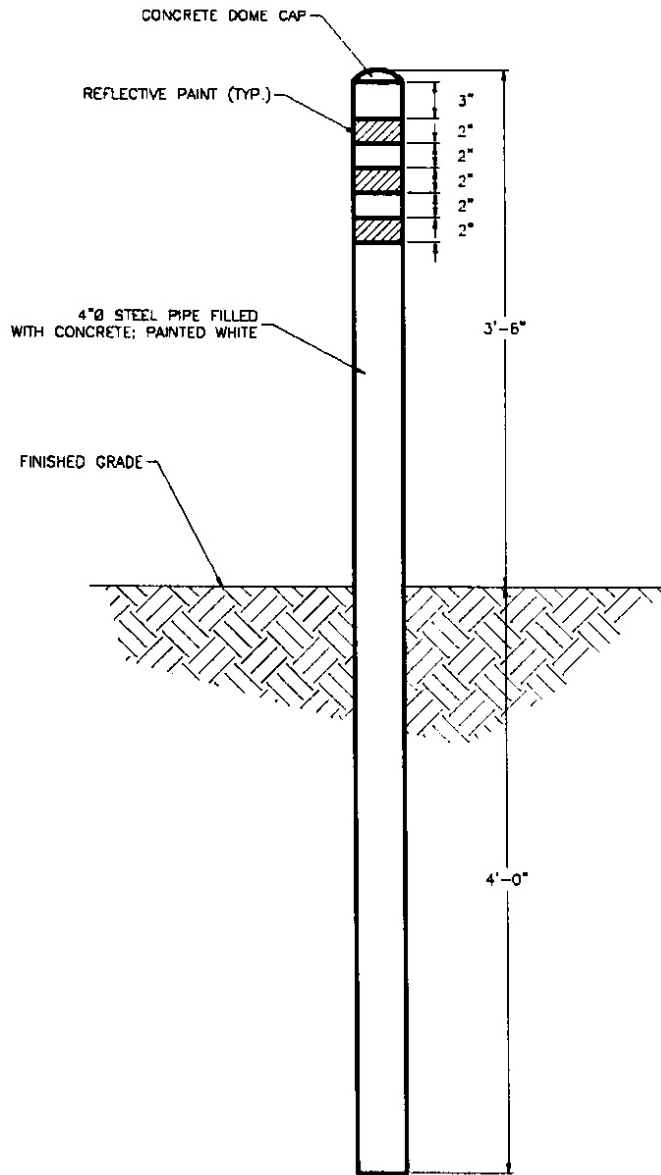
<b>SARATOGA DESIGN STANDARDS</b> TOWN OF SARATOGA	DRAWING:
	<b>S1</b>
FILE: CONCRETE MONUMENT DETAIL.DWG	PLOTTED / REVISED: 06/20/07 9:00AM



**1 WOOD BOLLARD DETAIL**  
SCALE: N.T.S.

02/27/07	△	REVIEWED BY SARATOGA TOWN ENGINEER	KAM	
02/29/07	△	REVIEWED BY SARATOGA HIGHWAY SUPERINTENDENT	DFH	
DATE	REV #	ISSUED / REVISIONS	BY	BY
<b>WOOD BOLLARD DETAIL</b>				
DECEMBER 2008		PRO# 05-029	SHEET: 15 OF 21	

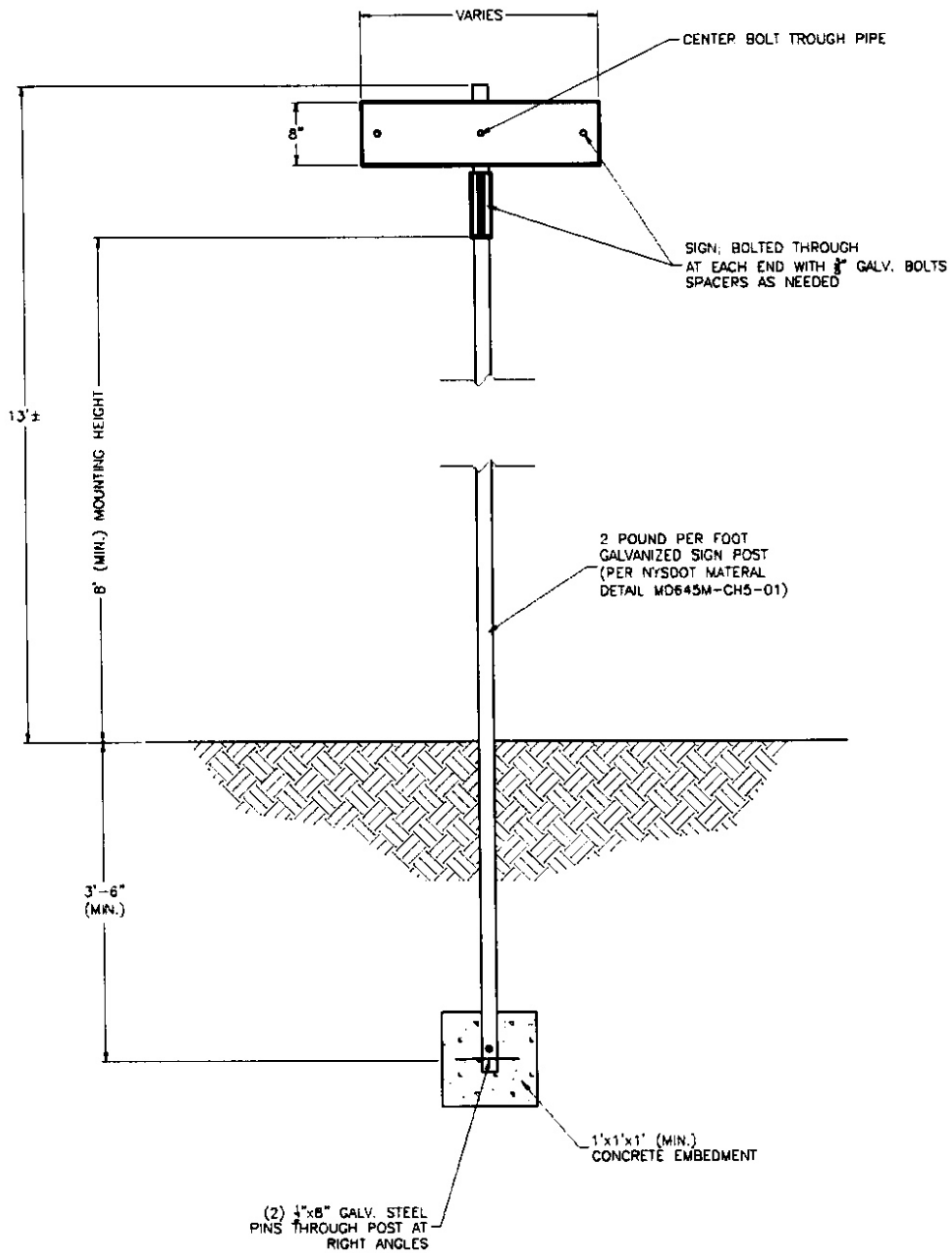
<b>SARATOGA DESIGN STANDARDS</b> TOWN OF SARATOGA	DRAWING:
	<b>S2</b>
FILE: BOLLARD DETAIL.DWG	PLOTTED / REVISED: 03/20/07 9:00AM



**1** PIPE BOLLARD DETAIL  
SCALE: N.T.S.

02/27/07	△	REVIEWED BY SARATOGA TOWN ENGINEER	KAM
02/29/07	△	REVIEWED BY SARATOGA HIGHWAY SUPERINTENDENT	DFH
DATE	REV #	ISSUED / REVISIONS	BY
<b>PIPE BOLLARD DETAIL</b>			
DECEMBER 2008		PRO# 05-029	SHEET: 16 OF 21

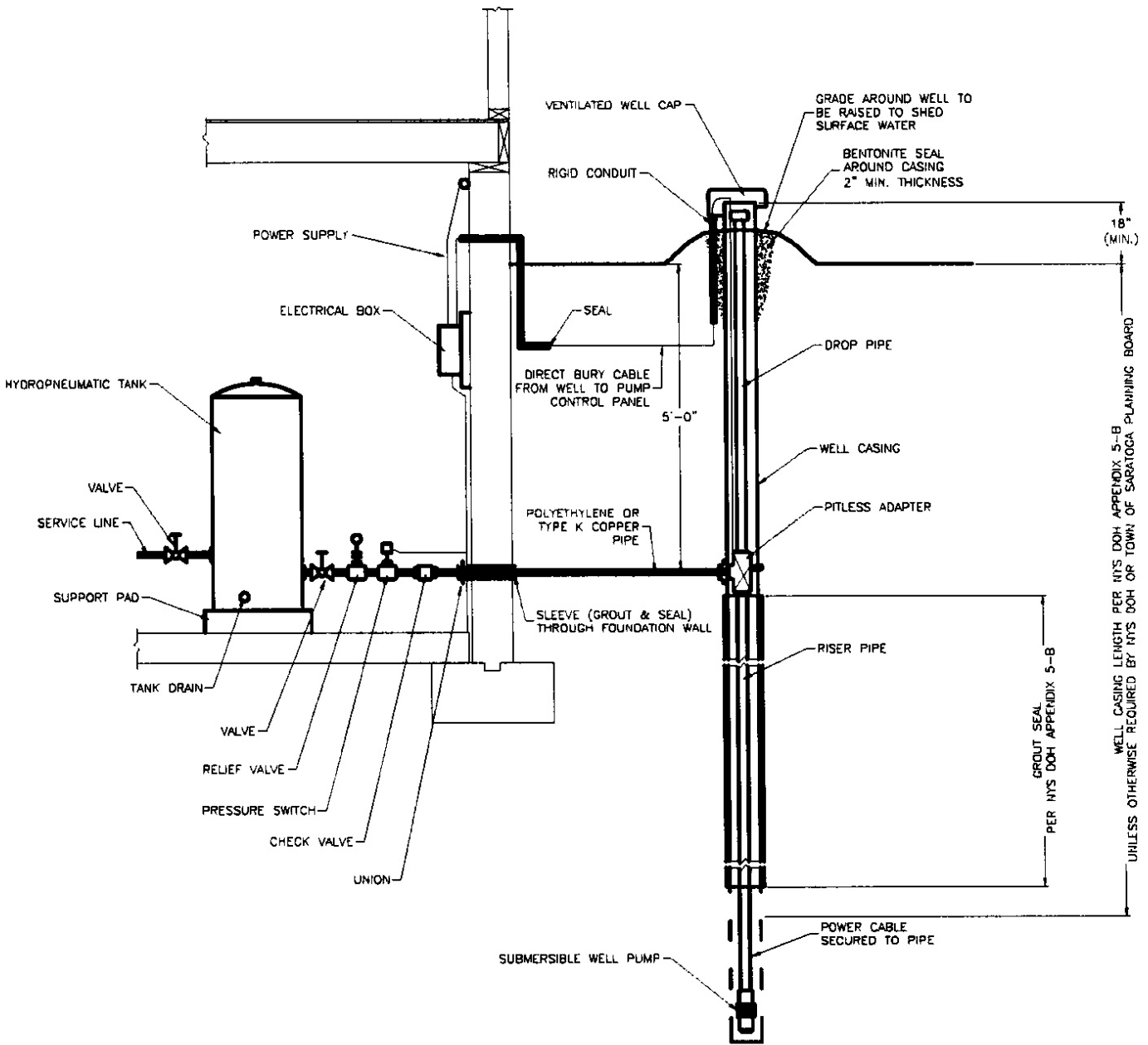
<b>SARATOGA DESIGN STANDARDS</b> TOWN OF SARATOGA	DRAWING:
	<b>S3</b>
FILE: BOLLARD DETAIL.DWG	PLOTTED / REVISED: 06/20/07 9:00AM



**1 STREET SIGN DETAIL**  
SCALE: N.T.S.

02/27/07	REVIEWED BY SARATOGA TOWN ENGINEER	KAM	
02/28/07	REVIEWED BY SARATOGA HIGHWAY SUPERINTENDENT	DFH	
DATE	REV #	ISSUED / REVISIONS	BY BY
<b>STREET SIGN DETAIL</b>			
DECEMBER 2008		PRO# 05-029	SHEET: 17 OF 21

<b>SARATOGA DESIGN STANDARDS</b> TOWN OF SARATOGA	DRAWING:
	<b>S4</b>
FILE: STREET SIGN.DWG	PLOTTED / REVISED: 06/20/07 9:00AM



**1 WATER WELL DETAIL**  
SCALE: N.T.S.

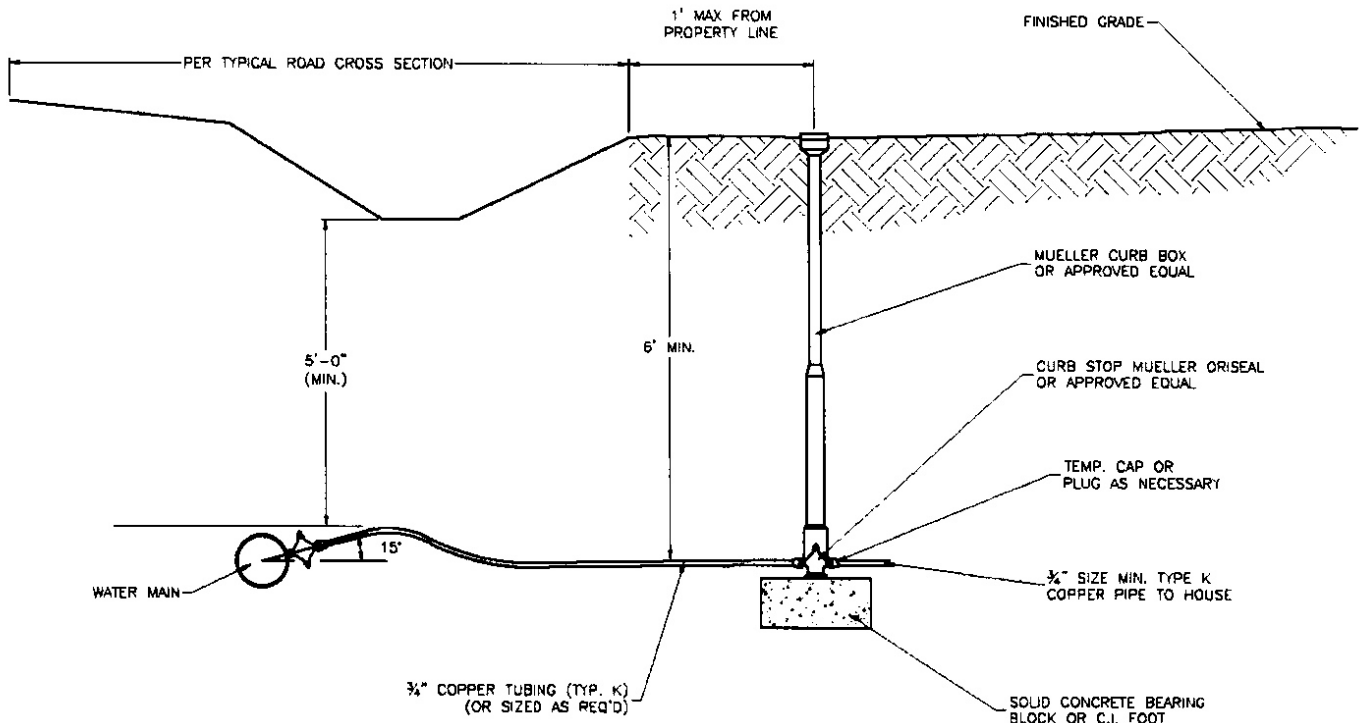
**DRAWING NOTES:**

1. WATER WELL SHALL BE TESTED PER TOWN OF SARATOGA RESIDENTIAL WATER WELLS STANDARDS (SECTION 73-25).
2. WATER WELLS SHALL BE CONSTRUCTED IN ACCORDANCE WITH NYS DOH APPENDIX 5-B
3. HORIZONTAL SEPARATION DISTANCES FROM THE INDIVIDUAL RESIDENTIAL WATER WELL TO WASTEWATER SYSTEM SHALL BE PER NYSDOH. (APPENDIX 5-B)

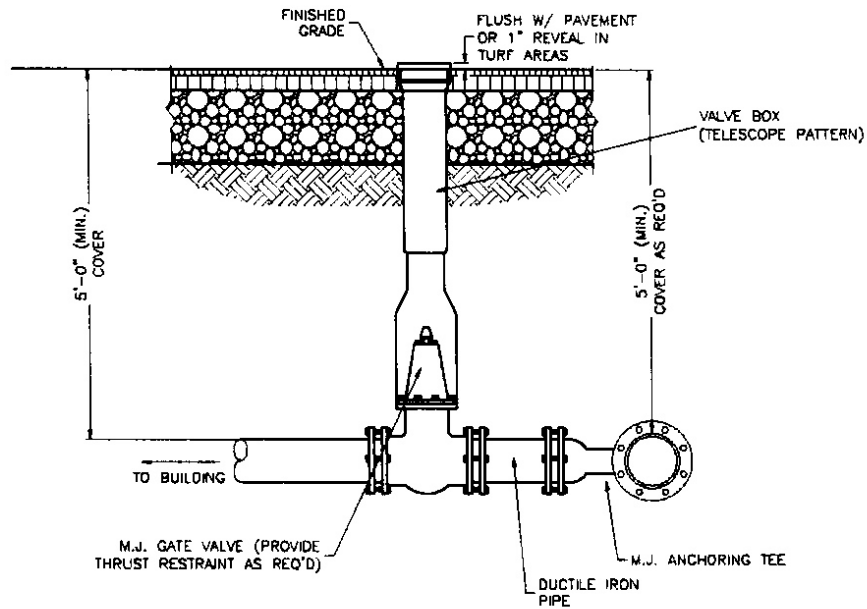
02/27/07	REVIEWED BY SARATOGA TOWN ENGINEER	KAM	
02/29/07	REVIEWED BY SARATOGA HIGHWAY SUPERINTENDENT	DFH	
DATE	REV #	ISSUED / REVISIONS	BY BY
<b>INDIVIDUAL RESIDENTIAL WATER WELL DETAIL</b>			
DECEMBER 2006		PRO# 05-029	SHEET: 18 OF 21

<b>SARATOGA DESIGN STANDARDS</b>	<b>DRAWING:</b>
TOWN OF SARATOGA	<b>W1</b>
FILE: WATER WELL DETAIL.DWG	PLOTTED / REVISED: 08/20/07 9:00AM





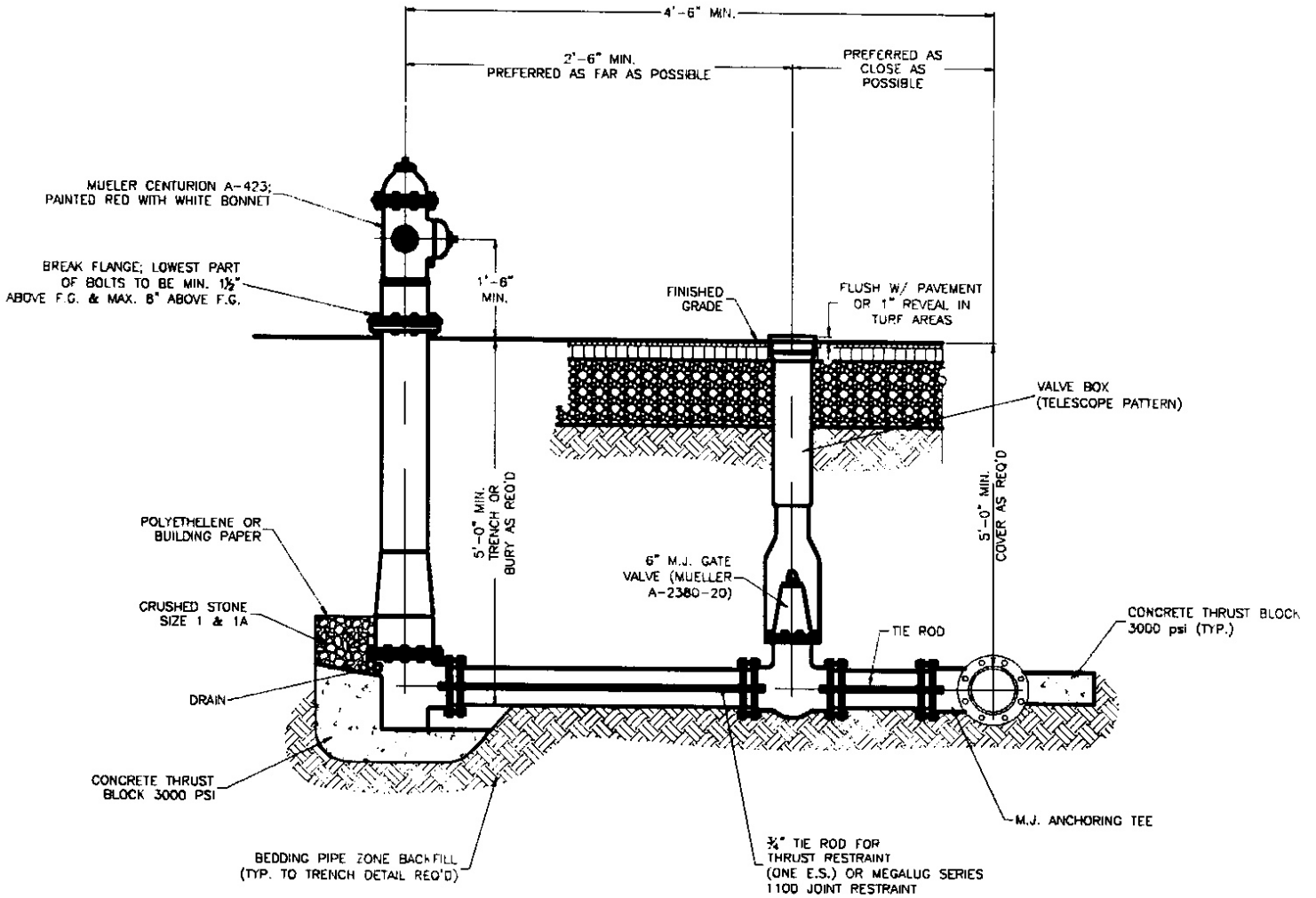
**1** TYPICAL WATER SERVICE DETAIL  
SCALE: N.T.S.



**2** LARGE DIAMETER WATER SERVICE DETAIL  
SCALE: N.T.S.

02/27/07	REVIEWED BY SARATOGA TOWN ENGINEER	KAM	
02/28/07	REVIEWED BY SARATOGA HIGHWAY SUPERINTENDENT	DFH	
DATE	REV #	ISSUED / REVISIONS	BY BY
<b>WATER SERVICE DETAIL</b>			
DECEMBER 2006		PRO# 05-029	SHEET 19 OF 21

<b>SARATOGA DESIGN STANDARDS</b>	DRAWING:
	<b>W2</b>
TOWN OF SARATOGA	
FILE: WATER SERVICE DETAIL.DWG	PLOTTED / REVISED: 08/20/07 9:00AM



**1 HYDRANT DETAIL**  
SCALE: N.T.S.

02/27/07	REVIEWED BY SARATOGA TOWN ENGINEER	KAM	
09/28/07	REVIEWED BY SARATOGA HIGHWAY SUPERINTENDENT	DFH	
DATE	REV #	ISSUED / REVISIONS	BY
<b>HYDRANT DETAIL</b>			
JANUARY 2007		PRO# 05-029	SHEET: 20 OF 21

<b>SARATOGA DESIGN STANDARDS</b>	<b>DRAWING:</b>
TOWN OF SARATOGA	<b>W3</b>
FILE: HYDRANT DETAL.DWG	PLOTTED / REVISED: 08/20/07 9:00AM